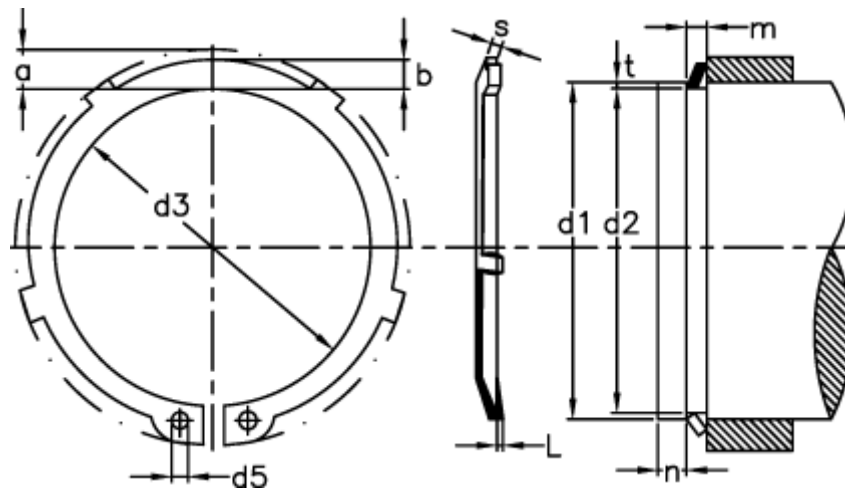


Article number: 0120076

Description: Retaining ring AL 60X2
Spring steel

Measures



a max	= 8.2	FL max kN	= 1.28	s	= 2.00
b	= 5.8	FN kN	= 46.00	tol	= -0.30
C kN/mm	= 1.97	FRg kN	= 11.30	tol	= +0,46 -1,10
d1	= 60	FR kN	= 69.3	u	= 0.15
d2	= 57.0	g	= 2.5		
d3	= 55.8	L min	= 0.80		
d5 min	= 2.5	m min	= 2.15		
Description	= AL 60	Nominal drive	= 4.5		